

H507A X4 STAR PRO

V4.0

IMPORTANT SAFETY NOTES

OPERATION: Be extremely careful and responsible when using the Quad. Small electronic components can be damaged by crashes or by contact with water. To avoid injuries, do not fly a quad with broken or damaged components.

Maintenance: Do not try to fix the quad by yourself. Please contact Hubsan directly or distributors authorized by Hubsan for technical support.

For more information, please visit our official website at www.hubsan.com

Battery: Do not store the battery in humid areas or in temperatures higher than 60 degrees.
Use a Hubsan charger to charge batteries.
Keep the batteries away from children.
Keep the batteries dry.

- Do not fly the quad in crowded places, always be aware of the safety of yourself and others.
- Do not fly in bad weather.
- Never try to catch the quad while it is in flight.
- This quad is intended for experienced pilots age 14+.
- Take the battery out of the quad while not in use to avoid accidental injuries.

USAGE ADVICE

Hubsan provides you with two files for your quad:



«Disclaimer»



«Quick Start Guide»

Watch the tutorial video and read the Disclaimer first.

For detail information, please download User Manual at www.hubsan.com.

CONTENTS

IMPORTANT SAFETY NOTES		5-2 COMPASS CALIBRATION	8
	1	5-3 MAP MODE	8
USAGE ADVICE	1	5.4 BASIC FLIGHT	8
INTRODUCTION	3	6. PROPELLERS	8
1. DOWNLOADING THE		6-1 INTRODUCTION	8
X-HUBSAN APP	3	6-2 REMOVING PROPELLERS	10
1-1 APP FUNCTIONS AND SETTINGS	4	6-3 INSTALLING PROPELLERS	11
	4	H507A TROUBLESHOOTING	12
1-2 GPS FUNCTIONS	5	H507A SPARE PART CHART	13
2. QUAD COPTER BATTERY	5	INFORMATION	14
	5		
2-1 INTRODUCTION	5		
2-2 BATTERY INSTALLATION	5		
2-3 CHARGING	6		
3. QUAD COPTER MOTOR LED			
INDICATOR	6		
4. START TO FLY	6		
5. APP FLIGHT	7		
5-1 CONNECT THE QUADCOPTER			
WITH APP	7		

INTRODUCTION

Thank you for buying a HUBSAN product. The H507A is designed to be an easy-to-use, multi-functional RC model, capable of hovering and acrobatic flight maneuvers. Please read this manual carefully and follow all the instructions. Be sure to keep this manual for future reference.

Quadcopter Weight: 162g (including propeller guards)

1. DOWNLOAD X-HUBSAN APP

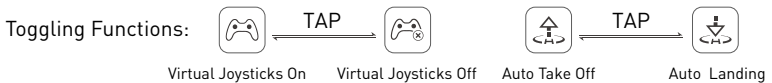
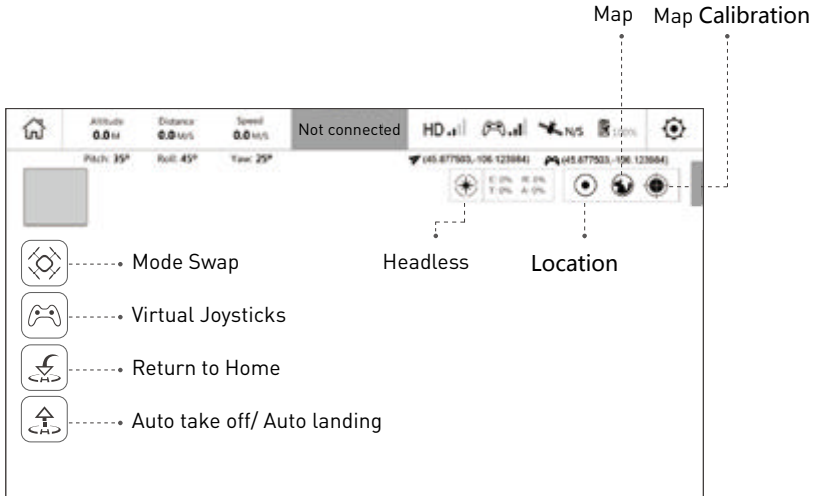
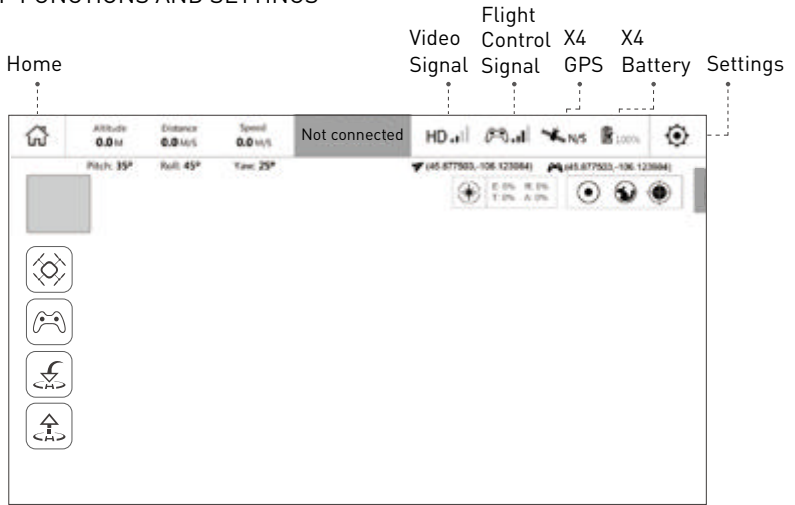
You will need to download the X-Hubsan APP from the App Store (iOS) or Google Play (Android) to operate the X4 Star Pro.



X-Hubsan

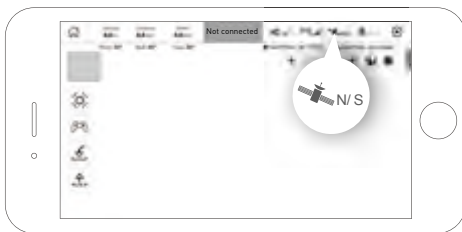
X-Hubsan is an APP designed for Hubsan products. Users can fly the quad, take pictures/videos and set flight parameters for the quad on the APP. We advise users to fly the quad within 50 meters and use the smart devices with large screens for optimal visual experience. You can also buy the Hubsan relay (HT005) to go further distances (300m).

1-1 APP FUNCTIONS AND SETTINGS



1-2 THE GPS FUNCTION

When the copter's GPS has gained 6 satellites or more, below functions can be used: Waypoints/ Orbiting/ Follow Me / Return to Home (RTH).



The above functions will not operate if there are less than 6 GPS satellites. To avoid losing the drone, please make sure that it has gained 6 or more satellites prior to flight.

2. QUAD COPTER BATTERY

2-1 INTRODUCTION

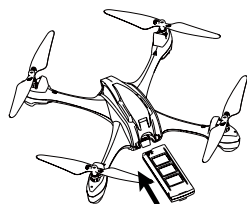
The quadcopter battery is a rechargeable Li-Po battery rated at 7.6V and has a 550mAh capacity. The battery should only be charged with the provided HUBSAN charger to avoid overcharging.



Please make sure the battery is fully charged before use.

2-2 BATTERY INSTALLATION

Insert the battery into the battery compartment correctly.



2-3 CHARGING

Connect the battery to its USB charger, then connect the USB end either to a wall adapter or a USB device (such as a computer or mobile power charger (5V,1A)). The USB LED indicator blinks in red when charging, and turns solid after the battery is fully charged. Please unplug the charger and battery promptly afterwards.

Charging time: ~200 mins



Please fully charge the batteries to avoid loss of control due to low voltage.

3. QUAD COPTER LED INDICATORS

LED Indicators:

Fore LEDs are blue; rear LEDs are red.

1. Power on: all 4 LED indicators flash simultaneously.

2. Compass Calibration:

1)Horizontal calibration: the 4 LED indicators flash in a clockwise pattern.

2)Vertical calibration: the LED indicators flash two at a time) alternating sides.

3. Quadcopter Calibration 4 LED indicators flash slowly.

4. GPS Flight: 4 LED indicators remain solid.

5. GPS Return : the 2 front LEDs remain solid, and the 2 rear LEDs flash slowly.

6. Low Voltage: the 2 front LEDs remain solid, and the 2 rear LED flash rapidly.

7. Disconnection: When the connection between the transmitter/smart device and quad is lost, the 2 front LEDs will flash alternately and the 2 rear LED indicators will remain solid.

4. START TO FLY

To prevent any injuries caused by improper operation, it is strongly advised that beginners learn to operate the quad under the guidance of the professional. It is very important to choose the right flight environment. Please refer to the disclaimer for a description of the ideal flight environment.

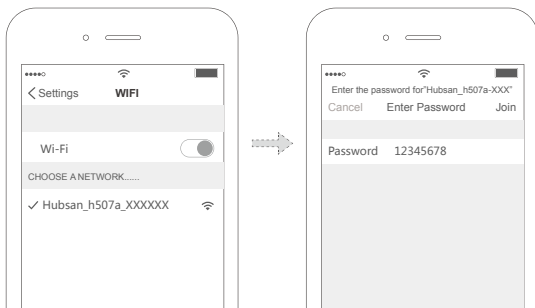
SAFETY CHECKS BEFORE FLYING

- (1) Make sure that the quad and transmitter/smart device batteries are fully charged.
- (2) Make sure propellers are installed properly.
- (3) Insert Micro-SD card for pictures and videos prior to powering the quad on.
- (4) Check that motors arm properly after binding.
- (5) Make sure the camera lens is clean.

5. APP FLIGHT

5-1 CONNECT THE QUADCOPTER WITH APP

- (1) Power on the quad (hold down the power button until all four LEDs power on);
- (2) With your smart device's WIFI function] find and select Hubsan_h507a_XXXXXX. Password: 12345678.
- (3) Enter the X-Hubsan APP. Select the Hubsan H507A from the drop-down menu to enter the flight operation interface.



NOTICE: For safety purposes, please do not use your smart device for other purposes while it is connected via the X-Hubsan APP to the copter. If you wish to control the quad with other devices, please restart the quad.

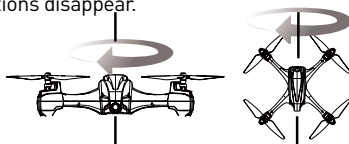
5-2 COMPASS CALIBRATION

Compass calibration is required before every flight, otherwise the quad will not function properly. To avoid major in-flight issues) do not calibrate the compass near sources of magnetic interference.


(1) Please follow the calibration instructions on the X-Hubsan APP.

(2) Calibration is completed when the calibration instructions disappear.

The APP will revert to its operation interface.



5-3 MAP MODE

Tap  to shift between Camera mode and Map mode.

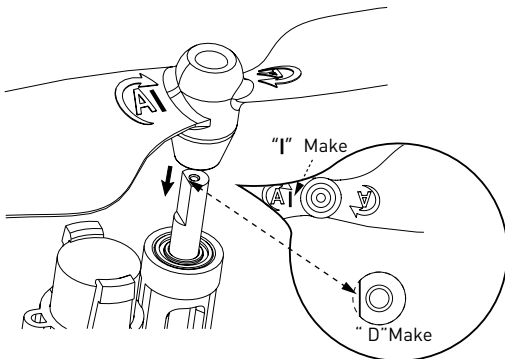
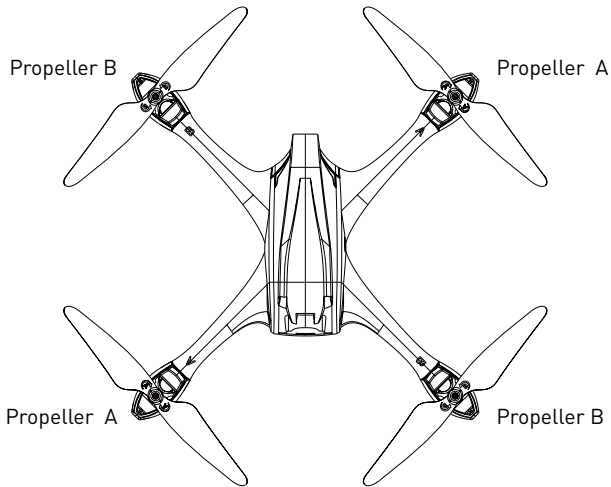
5-4 BASIC FLIGHT

Please check the help tips on APP for more details.

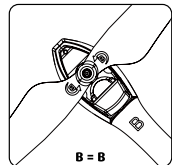
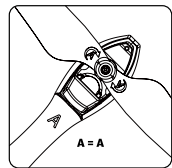
6. PROPELLERS

6-1 INTRODUCTION

The 5.3 inch propellers are classified into A and B. Damaged propellers should be replaced in time.



<Figure 1>

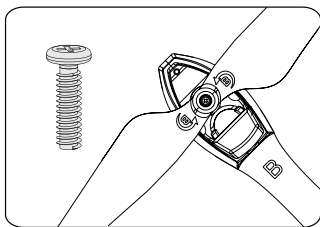


Attach the propellers to their corresponding motors (both propellers and motors should be marked A and B). Gently but firmly tighten the propellers with the screw-driver. Propellers should be firmly secured to the motor shaft but not completely deadlocked. Match the "I" mark on propellers to the flat side of the indicated "D" gap on motor shafts when assembling (as shown on Figure 1)

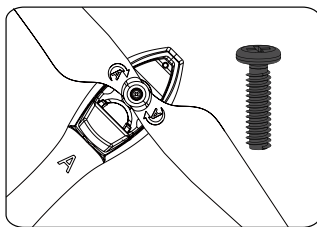


- Make sure that the A and B propellers are installed correctly (to their corresponding motors). The X4 will not fly if propellers are improperly installed.
- Keep fingers and other body parts away from hazardous moving parts.

Notice: Mind the corresponding colors of the A and B propeller screws!



Propeller B

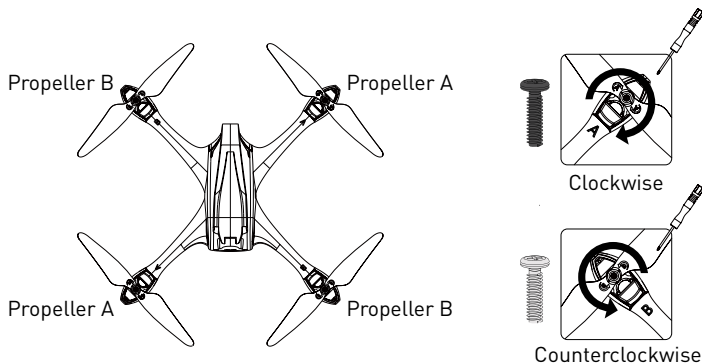


Propeller A

6-2 REMOVING PROPELLERS

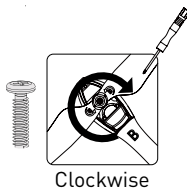
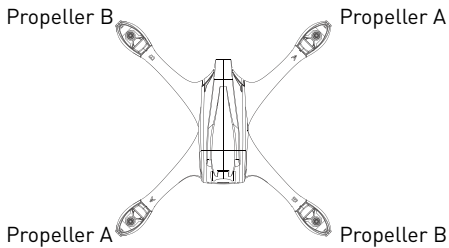
If a propeller needs to be changed:

Use a screwdriver to unscrew propeller A clockwise from the motor shaft. Unscrew propeller B by unscrewing it counterclockwise.



6-3 INSTALLING PROPELLERS

Use a screwdriver and gently tighten the screw counterclockwise for propeller A. Gently tighten the screw clockwise for propeller B.



H507A TROUBLESHOOTING

1. No GPS Signal !

Make sure that you and the copter are outdoors. The flight environment must be open (without tall buildings or obstructions).

2. Altitude Hold & Positioning not work!

Check that the quad has 6 or more GPS satellites.

3. Can't take pictures and videos!

① Check if the Micro-SD card is inserted or not;

② Check that the Micro-SD card is formatted correctly to either FAT32 or exFAT. The card should also be class 10 or higher.

4. Can't fly back to Home Point!

Check that the quad has 6 or more GPS satellites before flying.

5. GPS signal lost!

Check if there is any interference (ie: electric cables, radio towers)

6. The quad or video shakes while flying.

① Check the propellers. Replace broken or deformed propellers.

② Check the screws on quadcopter are properly screwed in place.

③ Check if the motor shaft is broken or warped.

7. No Wi-Fi Connection.

Restart the quad.

8. Unbind the quad and the APP before connecting the quad to the relay for flight. Otherwise the connection between the relay and quad may fail.

9. How to find back the quadcopter when it lost?

Please search the quad copter according to its GPS coordinate recorded on the controller.

H507A SPARE PART CHART



H507A-01
Body Shell



H507A-02
Lamp Base A/B
Transparent yellow



HT005 Relay



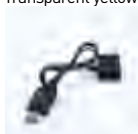
H507A-07
Li-Po Battery



H502C-03
Screw



H507A-03
Propeller A/B
Yellow



H502C-08
USB Charger



H502-19
Screwdriver



H502-20
Propeller guard



H502-05
Motor A



H502-06
Motor B



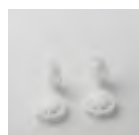
H507A-04
Motor Holder Grey



H502-07
Motor Holder



H502-08
Shaft Sleeve



H502-10
Motor Gear B



H502-11
Motor Shaft



H502-12
LED Kit



H507A-05
2.4G RX



H507A-06
Camera Module



H507A-08
GPS Module



H501S-13
Compass Module

INFORMATION

This equipment has been tested and found to comply with the limits for a Class B digital device, pursuant to Part 15 of the FCC Rules. These limits are designed to provide reasonable protection against harmful interference in a residential installation. This equipment generates, uses, and can radiate radio frequency energy and, if not installed and used in accordance with the instructions, may cause harmful interference to radio communications. However, there is no guarantee that interference will not occur in a particular installation. If this equipment does cause harmful interference to radio or television reception, which can be determined by turning the equipment off and on, the user is encouraged to try to correct the interference by one or more of the following measures:

- Reorient or relocate the receiving antenna.
- Increase the separation between the equipment and receiver.
- Connect the equipment into an outlet on a circuit different from that to which the receiver is connected.
- Consult the local dealer or an experienced radio/TV technician for help.

Changes or modifications not expressly approved by the party responsible for compliance could void the user's authority to operate the equipment.

This device complies with Part 15 of the FCC Rules. Operation is subject to the following two conditions:

- (1) this device may not cause harmful interference, and
- (2) this device must accept any interference received, including interference that may cause undesired operation.

This device complies with part 15 of the FCC Rules.
Operation is subject to the following two conditions:
(1) This device may not cause harmful interference, and
(2) this device must accept any interference received, including interference that may cause undesired operation. Made in China.

CAUTION

RISK OF EXPLOSION IF BATTERY IS REPLACED BY AN INCORRECT TYPE.
DISPOSE OF USED BATTERIES ACCORDING TO THE INSTRUCTIONS.

WARNING:
HAZARDOUS MOVING PARTS KEEP FINGERS AND OTHER BODY PARTS AWAY.



Notice: Read the instruction manual carefully before use.
Caution : propellers may cause injury.



Do not leave the quadcopter charging unattended.
Always disconnect the quadcopter from the charger
immediately after charging is complete.
This is not a toy, not suitable for children under 14.

WWW.HUBSAN.COM

Product Name : X4 STAR PRO

Company : Shenzhen Hubsan Technology Co., Ltd

Address : 13th Floor, Block 1, Tower C, Software Industry Base, Xuefu Road,
Nanshan District, Shenzhen, China.

Factory : Dongguan Tengsheng Industrial Co., Ltd.

Address : A22# Luyi Street, Tianxin Village, Tangxia Town, Dong guan, China.

Hotline : 0769-82776166 (China)